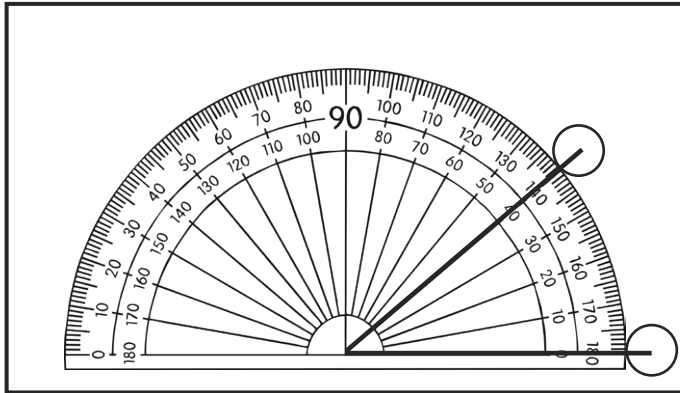


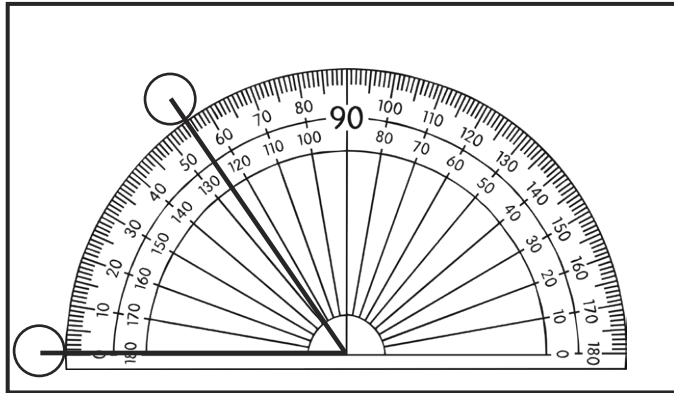
Measuring Acute Angles

To measure acute angles in degrees.

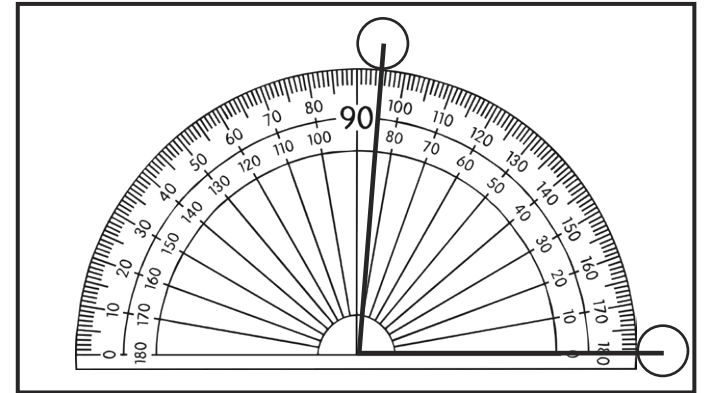
1) What is the size of the acute angle marked in each diagram?



= _____ °

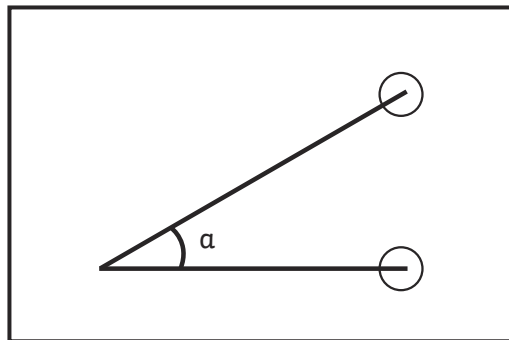


= _____ °

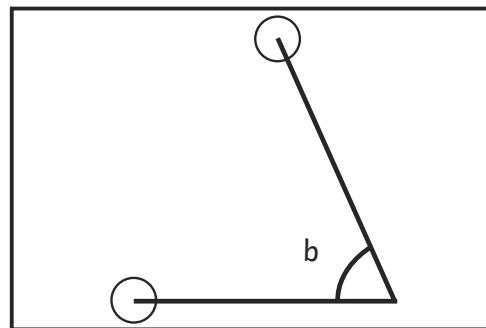


= _____ °

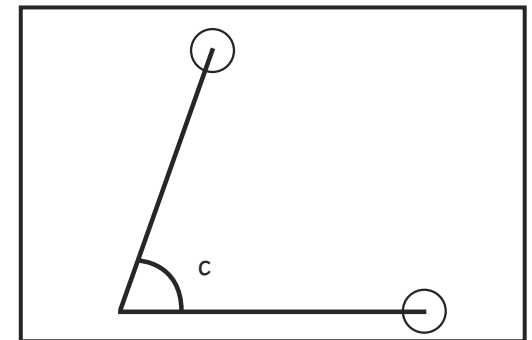
2) Use a protractor to measure these acute angles.



= _____ °



= _____ °

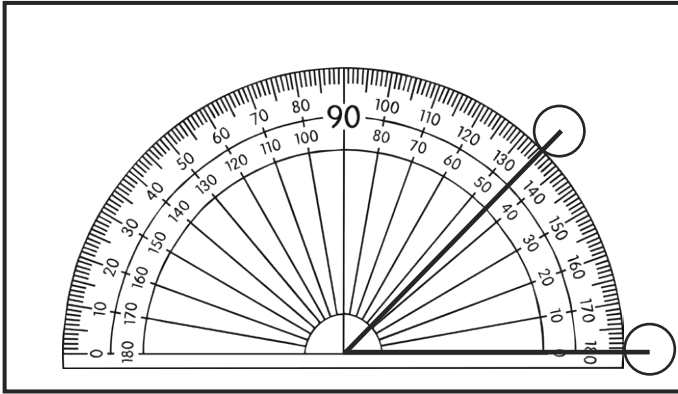


= _____ °

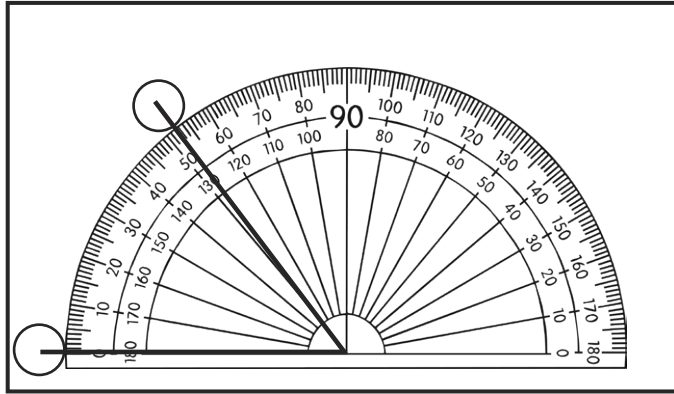
Measuring Acute Angles

To measure acute angles in degrees.

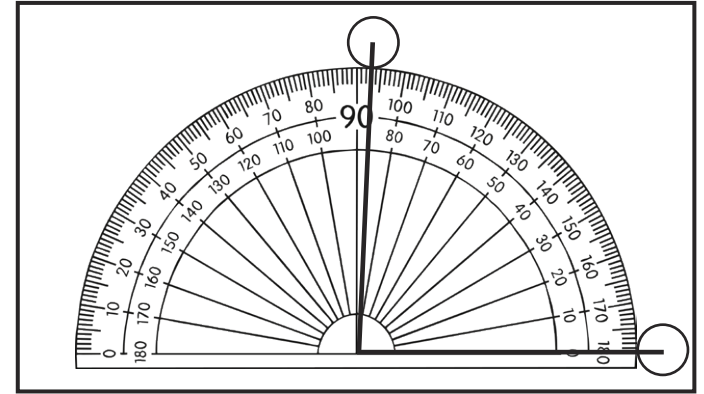
1) What is the size of the acute angle marked in each diagram?



= _____ °

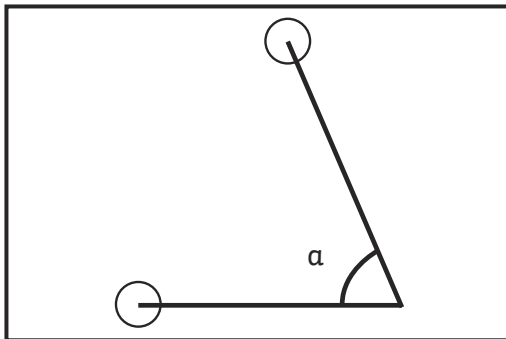


= _____ °

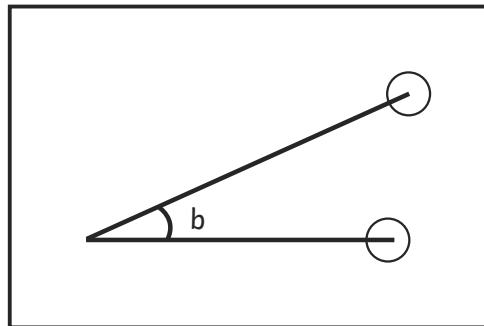


= _____ °

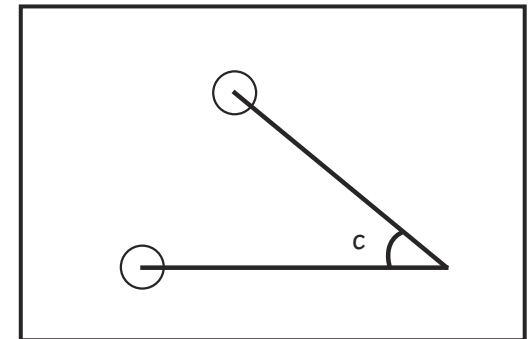
2) Use a protractor to measure these acute angles.



= _____ °



= _____ °



= _____ °

Measuring Acute Angles

To measure acute angles in degrees.



Use a pencil and ruler to draw acute angles of any size.

First, estimate the size of each angle you have drawn and explain your reasoning.

Now, use a protractor to measure your angle. How close were you to your estimation?

I estimate this angle is _____ ° Reasoning: _____ _____
The angle measures _____ ° How close was your estimation? _____

I estimate this angle is _____ ° Reasoning: _____ _____
The angle measures _____ ° How close was your estimation? _____

I estimate this angle is _____ ° Reasoning: _____ _____
The angle measures _____ ° How close was your estimation? _____

Measuring Acute Angles **Answers**

1) **40°**
Also accept 39° or 41°

55°
Also accept 54° or 56°

85°
Also accept 84° or 86°

2) **30°**
Also accept 29° or 31°

65°
Also accept 64° or 66°

70°
Also accept 69° or 71°

Measuring Acute Angles **Answers**

1) 45°
Also accept 44° or 46°

52°
Also accept 51° or 53°

87°
Also accept 86° or 88°

2) 66°
Also accept 65° or 64°

24°
Also accept 23° or 25°

39°
Also accept 38° or 40°